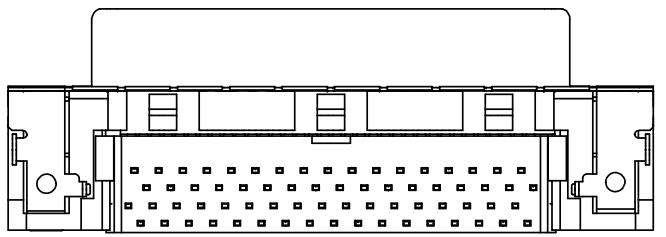
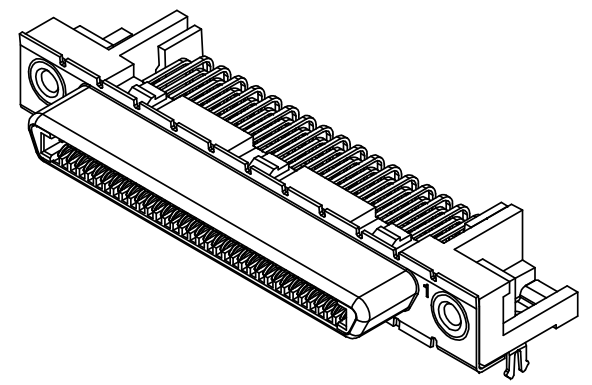
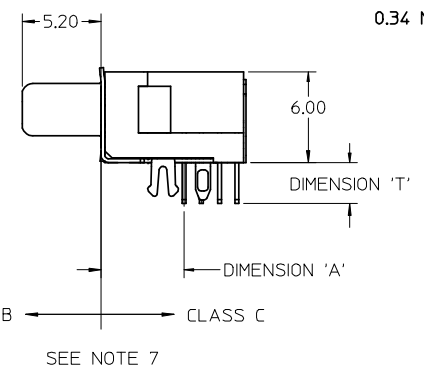
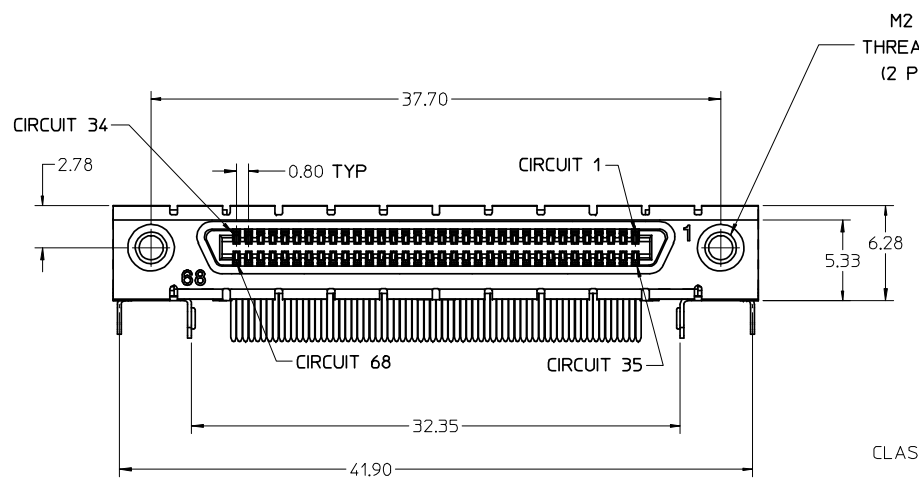
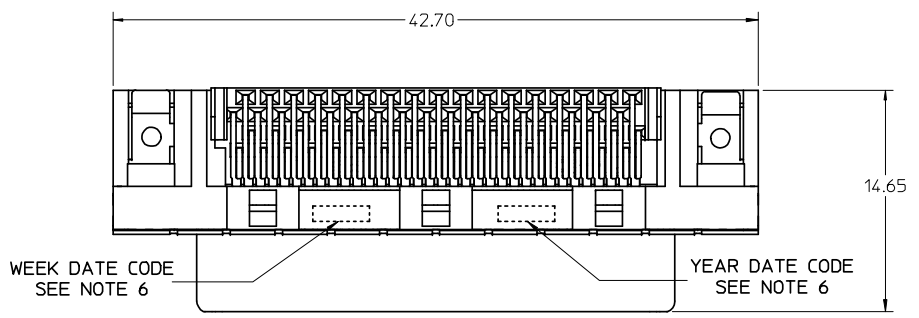
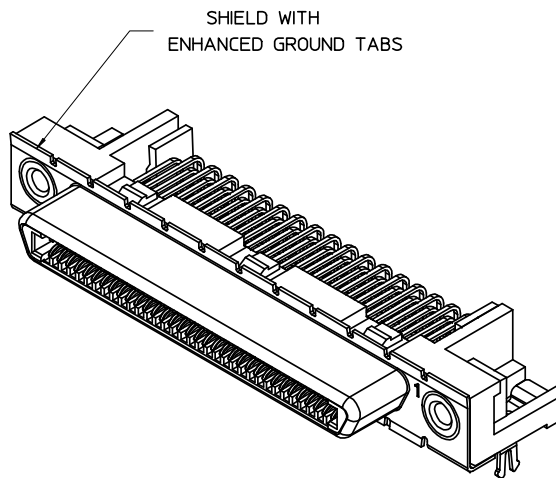
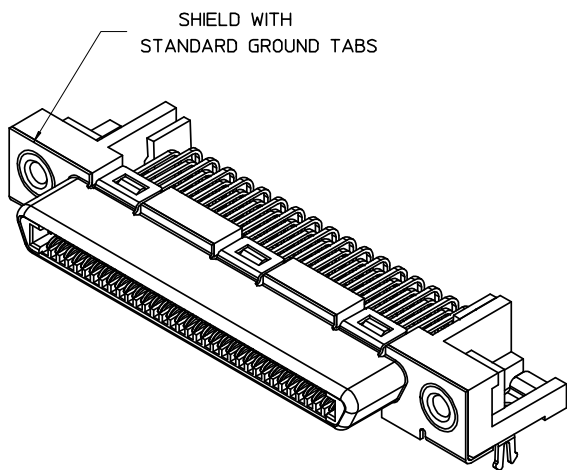


- NOTES:
- MATERIALS:
 - HOUSING: HIGH TEMPERATURE THERMOPLASTIC, UL94 V-0, COLOR:BLACK
 - TAIL ALIGNER: HIGH TEMPERATURE THERMOPLASTIC,
 - TERMINAL: HIGH PERFORMANCE COPPER ALLOY
 - BRACKET: BRASS
 - SHELL: STEEL
 - INSERT: BRASS
 - FINISHES:
 - TERMINAL: 0.05-0.25 MICROMETERS GOLD FLASH IN CRITICAL AREA OVER 0.75 MICROMETERS MINIMUM PALLADIUM NICKEL IN CRITICAL AREA, 1.87 MICROMETERS MINIMUM TIN IN SOLDER TAIL AREA OVER 1.25 MICROMETERS MINIMUM NICKEL.
 - BRACKET: 5.0 MICROMETERS BRIGHT TIN OVER 2.50 MICROMETERS COPPER.
 - SHIELD: 3.8 MICROMETERS MINIMUM BRIGHT TIN OVER 1.3 MICROMETERS MINIMUM NICKEL OVER COPPER FLASH (OPTIONAL).
 - INSERT: 2.54 MICROMETERS MINIMUM NICKEL.
 - PART PERFORMS TO MOLEX PRODUCT SPECIFICATION PS-71425-9999.
 - PACKAGE PER PK-70873-0823.
 - APPLICABLE STANDARDS: EIA-3652 AND SFF-8441.
 - DATE CODE: YR/WK PER EIA-476-A.
 - PRODUCT COMPLIES WITH COSMETIC SPECIFICATION PS-45499-002. SEE SIDE VIEW FOR SURFACE CLASSIFICATIONS.
 - TORQUE TO INSTALL SCREWLOCKS INTO THREADED INSERTS: 0.34 Nm MAXIMUM.



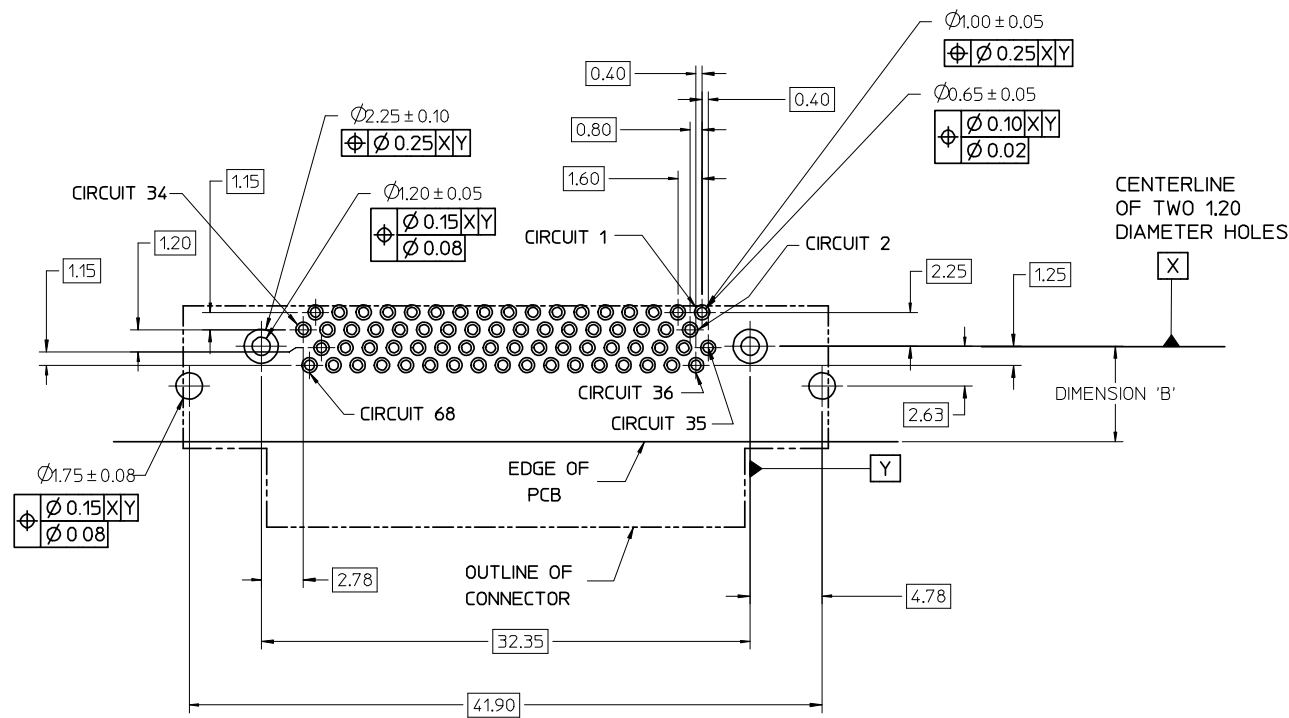
ADD -0012 AND -0013 EC NO: UCP2008-1552 DRWN:BBARKER 2008/02/01 CHKD:DMORGAN 2008/02/07 APPR: SMILLER 2008/02/08	QUALITY SYMBOLS	GENERAL TOLERANCES (UNLESS SPECIFIED)		SCALE 4:1	DESIGN UNITS METRIC	THIRD ANGLE PROJECTION	REVISE ON CAD ONLY	
	▼ 0 ∇ 0			DIMENSION STYLE MM ONLY		TITLE		
		4 PLACES	± ---	± ---	DRAWN BY DATE		VHDCI RIGHT ANGLE ASSEMBLY	
		3 PLACES	± ---	± ---	KSTILES 11/14/2002			
	2 PLACES	± 0.13	± ---	CHECKED BY DATE		MOLEX INCORPORATED		
	1 PLACE	± 0.25	± ---	KSTILES 11/15/2002		MATERIAL NO. DOCUMENT NO. SHEET NO.		
	ANGULAR ±1/2°		APPROVED BY DATE		SEE CHART SD-71430-015		1 OF 3	
	DRAFT WHERE APPLICABLE MUST REMAIN WITHIN DIMENSIONS		MBNAKIS 11/22/2002		THIS DRAWING CONTAINS INFORMATION THAT IS PROPRIETARY TO MOLEX INCORPORATED AND SHOULD NOT BE USED WITHOUT WRITTEN PERMISSION			

PCB THICKNESS	PART NUMBER	TAIL LENGTH 'T'	ENHANCED GROUND TABS	SCREWLOCKS	TAIL LOC. 'A'	HOLE LOCATION 'B'
1.60	71430-0101	2.08	NO	NONE	5.50	6.50 MAXIMUM
1.60	71430-0007	2.08	NO	LOOSE IN BAGS		
1.60	71430-0005	2.08	YES	NONE		
1.60	71430-0008	2.08	YES	LOOSE IN BAGS		
2.36	71430-0268	2.71	NO	NONE		
2.36	71430-0006	2.71	NO	INSTALLED		
2.36	71430-0004	2.71	YES	NONE		
2.36	71430-0009	2.71	YES	INSTALLED		
2.36	71430-0016	2.71	NO	LOOSE IN BAGS		
2.36	71430-0019	2.71	YES	LOOSE IN BAGS		
2.36	71430-0012	2.71	YES	NONE	5.30	6.30 MAXIMUM
1.60	71430-0013	2.08	YES	NONE		



OPTIONAL SCREWLOCK
PART NUMBER 71433-0002

ADD -0012 AND -0013 EC NO: UCP2008-1552 DRWN:BBARKER 2008/02/01 CHKD:DMORGAN 2008/02/07 APPR:SMILLER 2008/02/08	QUALITY SYMBOLS	GENERAL TOLERANCES (UNLESS SPECIFIED)		SCALE 4:1	DESIGN UNITS METRIC	THIRD ANGLE PROJECTION	REVISE ON CAD ONLY	
	▽ 0 ∇ 0	mm	INCH	DIMENSION STYLE MM ONLY		TITLE VHDCI RIGHT ANGLE ASSEMBLY		
		4 PLACES ± ---	± ---	DRAWN BY KSTILES	DATE 11/14/2002	MOLEX INCORPORATED SEE CHART SD-71430-015		
		3 PLACES ± ---	± ---	CHECKED BY KSTILES	DATE 11/15/2002			
2 PLACES ± 0.13	± ---	DRAFT WHERE APPLICABLE MUST REMAIN WITHIN DIMENSIONS		APPROVED BY MBNAKIS	DATE 11/22/2002	DOCUMENT NO. SD-71430-015	SHEET NO. 2 OF 3	
	1 PLACE ± 0.25	± ---	ANGULAR ±1/2°		THIS DRAWING CONTAINS INFORMATION THAT IS PROPRIETARY TO MOLEX INCORPORATED AND SHOULD NOT BE USED WITHOUT WRITTEN PERMISSION			



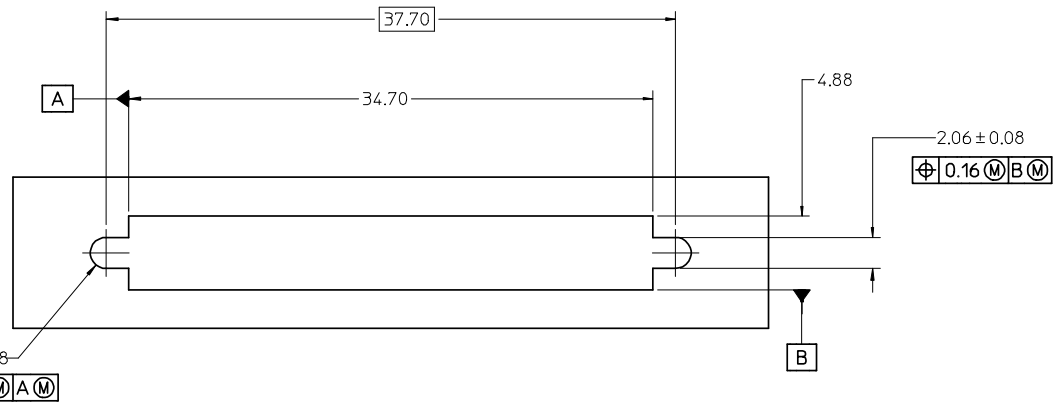
NOTES:

1. FOR FULL MATE WITH PLUG, PANEL THICKNESS SHOULD NOT EXCEED 1.0mm.

FUNCTIONAL MATING WITH MOLEX PLUG CAN STILL BE MAINTAINED WITH PANELS AS THICK AS 2.5mm (BUT PLUG AND RECEPTACLE WILL NOT BE FULLY MATED).

2. GUIDELINES FOR CHOOSING A MOLEX SCREWLOCK:

PANEL THICKNESS	RECOMMENDED SCREWLOCK
LESS THAN OR EQUAL TO 1.00 MM	71433-0002
1.01 TO 2.15 MM	71433-0010



INCREASE REV LEVEL EC NO: UCP2008-1552 DRWN:BBARKER 2008/02/01 CHKD:DMORGAN 2008/02/07 APPR:SMILLER 2008/02/08	QUALITY SYMBOLS	GENERAL TOLERANCES (UNLESS SPECIFIED)		SCALE 4:1	DESIGN UNITS METRIC	THIRD ANGLE PROJECTION	REVISE ON CAD ONLY	
	▼ 0 ∇ 0	mm	INCH	DIMENSION STYLE MM ONLY		TITLE		
		4 PLACES ± --- ± ---	3 PLACES ± --- ± ---	DRAWN BY KSTILES DATE 11/14/2002		VHDCI RIGHT ANGLE ASSEMBLY MOLEX INCORPORATED		
		2 PLACES ± 0.13 ± ---	1 PLACE ± 0.25 ± ---	CHECKED BY KSTILES DATE 11/15/2002				
ANGULAR ± 1/2°	DRAFT WHERE APPLICABLE MUST REMAIN WITHIN DIMENSIONS		APPROVED BY MBNAKIS DATE 11/22/2002	MATERIAL NO. SEE CHART	DOCUMENT NO. SD-71430-015	SHEET NO. 3 OF 3		